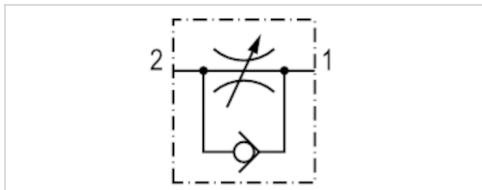


Check-choke valve, Series QR1-DWA

- $Q_n 1 \rightarrow 2 = 2607.6\text{-}53844.48 \text{ l/min}$
- direction of throttle $2 \rightarrow 1$
- exhaust air throttling
- push-in fitting / External thread



Working pressure min./max.	0.483 ... 10 bar
Ambient temperature min./max.	0 ... 60 °C
Medium temperature min./max.	0 ... 60 °C
Medium	Compressed air
Weight	See table below



Technical data

Part No.	Port 1	Port 2	Flow	Delivery unit	Weight
			$Q_n 1 \rightarrow 2$		
R432002367	10-32 UNF	Ø5/32	2607.6 l/min	1 piece	0.009 kg
R432002369	10-32 UNF	Ø1/4	2607.6 l/min	1 piece	0.009 kg
R432002368	1/8 NPT	Ø5/32	5904 l/min	1 piece	0.018 kg
R432002370	1/8 NPT	Ø1/4	5904 l/min	1 piece	0.04 kg
R432002373	1/8 NPT	Ø5/16	5904 l/min	1 piece	0.04 kg
R432002371	1/4 NPT	Ø1/4	9721.92 l/min	1 piece	0.032 kg
R432002374	1/4 NPT	Ø5/16	9721.92 l/min	1 piece	0.041 kg
R432002377	1/4 NPT	Ø 3/8	9721.92 l/min	1 piece	0.041 kg
R432002372	3/8 NPT	Ø1/4	33003.36 l/min	1 piece	0.064 kg
R432002375	3/8 NPT	Ø5/16	33003.36 l/min	1 piece	0.064 kg
R432002378	3/8 NPT	Ø 3/8	33003.36 l/min	1 piece	0.068 kg
R432002380	3/8 NPT	Ø1/2	33003.36 l/min	1 piece	0.068 kg
R432002376	1/2 NPT	Ø5/16	53844.48 l/min	1 piece	0.1 kg
R432002379	1/2 NPT	Ø 3/8	53844.48 l/min	1 piece	0.104 kg
R432002381	1/2 NPT	Ø1/2	53844.48 l/min	1 piece	0.104 kg

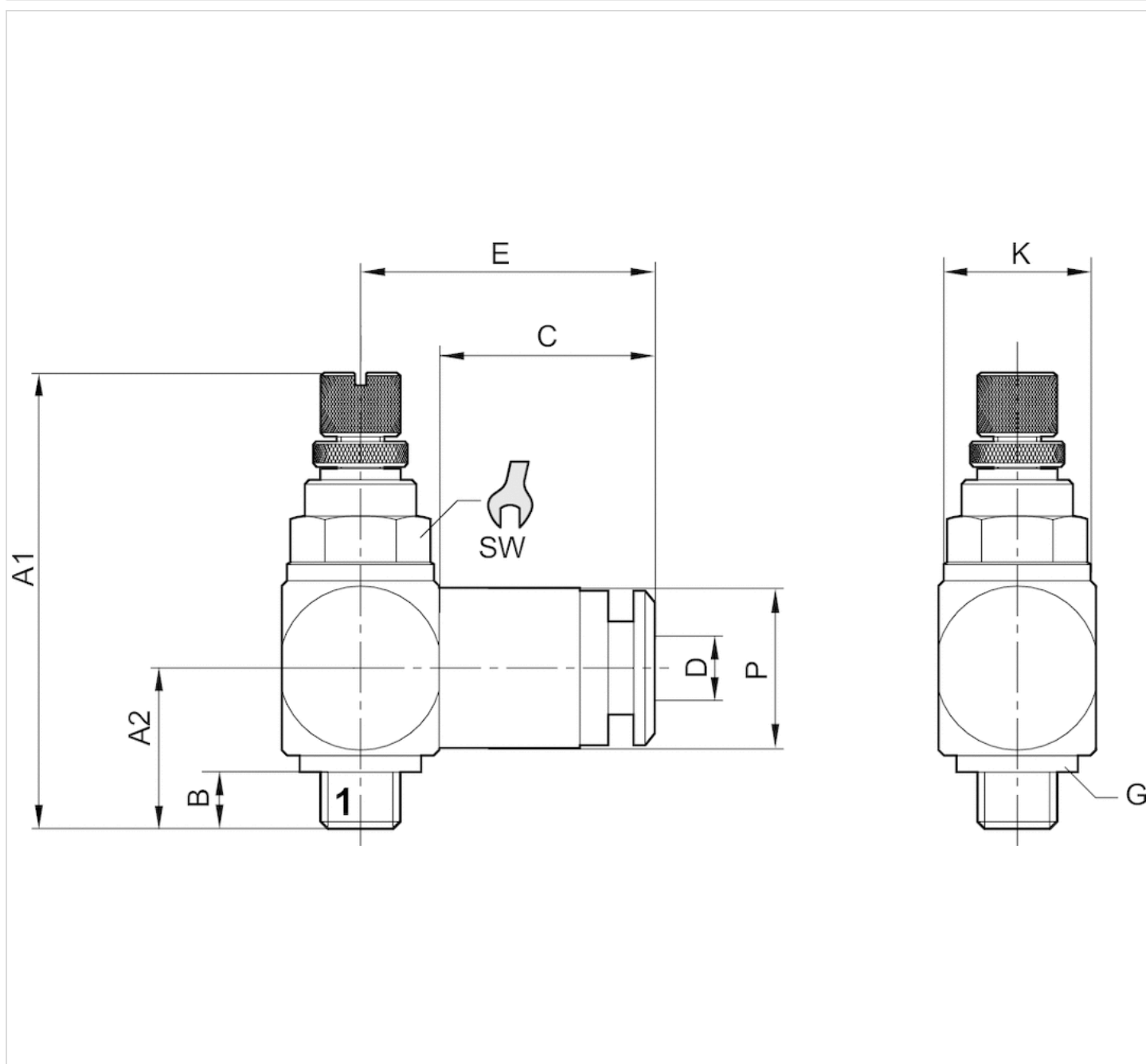
Nominal flow Q_n at 6 bar and $\Delta p = 1$ bar

Technical information

Material	
Housing	Polybutyleneterephthalate
Flow control screw	Brass, nickel-plated
Seals	Acrylonitrile butadiene rubber
Port	Brass, nickel-plated

Dimensions

Dimensions in inches



Throttle setting via knurled bolt

Dimensions in inches

Part No.	Ø D	A1 (max)	A2	B	C	E	Ø K	SW	Ø P
R432002367	5/32	1,044	0,256	0,138	0,63	0,725	0,394	5/16	0,411
R432002369	1/4	1,852	0,591	0,493	0,67	0,839	0,394	5/16	0,489
R432002368	5/32	1,044	0,256	0,138	0,63	0,725	0,394	7/16	0,411
R432002370	1/4	1,418	0,473	0,276	0,67	0,855	0,567	7/16	0,489
R432002373	5/16	2,049	0,619	0,611	0,729	0,926	0,567	7/16	0,567
R432002371	1/4	1,635	0,493	0,394	0,67	0,938	0,725	9/16	0,489
R432002374	5/16	1,635	0,571	0,394	0,729	1,052	0,725	9/16	0,567
R432002377	3/8	1,852	0,69	0,493	0,827	1,202	0,725	9/16	0,693
R432002372	1/4	1,852	0,571	0,496	0,67	1,036	0,867	3/4	0,489
R432002375	5/16	1,852	0,63	0,496	0,729	1,068	0,867	3/4	0,567
R432002378	3/8	2,049	0,749	0,611	0,827	1,217	0,867	3/4	0,693
R432002380	1/2	2,049	0,749	0,496	0,887	1,371	0,867	3/4	0,835
R432002376	5/16	2,049	0,682	0,611	0,729	1,143	1,103	1	0,567
R432002379	3/8	2,049	0,749	0,611	0,827	1,292	1,103	1	0,693
R432002381	1/2	2,049	0,749	0,611	0,887	1,43	1,103	1	0,835

Efficient pneumatic solutions, our program: cylinders and drives, valves and valve systems, air supply management



Visit us: [Emerson.com/Aventics](https://www.emerson.com/Aventics)

Your local contact: [Emerson.com/contactus](https://www.emerson.com/contactus)



[Emerson.com](https://www.emerson.com)



[Facebook.com/EmersonAutomationSolutions](https://www.facebook.com/EmersonAutomationSolutions)



[LinkedIn.com/company/Emerson-Automation-Solutions](https://www.linkedin.com/company/Emerson-Automation-Solutions)



[Twitter.com/EMR_Automation](https://twitter.com/EMR_Automation)

An example configuration is depicted on the title page. The delivered product may thus vary from that in the illustration. Subject to change. This Document, as well as the data, specifications and other information set forth in it, are the exclusive property of AVENTICS GmbH. It may not be reproduced or given to third parties without its consent. Only use the AVENTICS products shown in industrial applications. Read the product documentation completely and carefully before using the product. Observe the applicable regulations and laws of the respective country. When integrating the product into applications, note the system manufacturer's specifications for safe use of the product. The data specified only serve to describe the product. No statements concerning a certain condition or suitability for a certain application can be derived from our information. The information given does not release the user from the obligation of own judgement and verification. It must be remembered that the products are subject to a natural process of wear and aging.

The Emerson logo is a trademark and service mark of Emerson Electric Co. Brand logotype are registered trademarks of one of the Emerson family of companies. All other marks are the property of their respective owners. © 2020 Emerson Electric Co. All rights reserved.
2020-12



CONSIDER IT SOLVED™